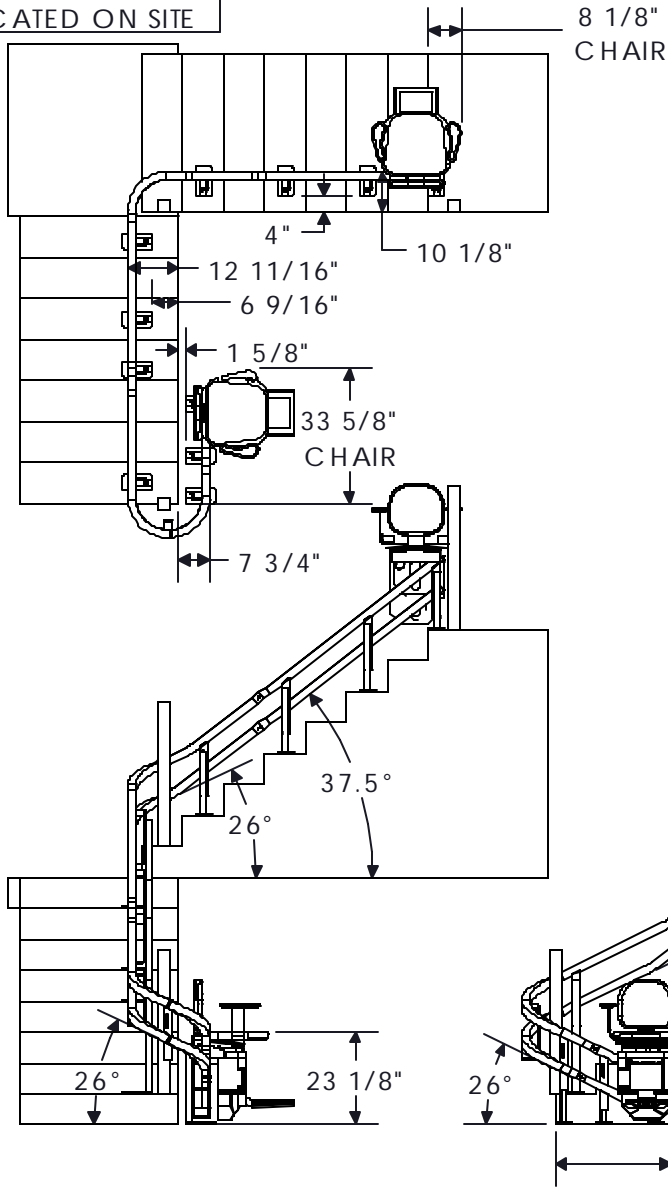


# FOR APPROVAL

CAUTION: ONCE THE DRAWING IS APPROVED CANCELLATION FEES WILL BE 50% OF JOB PRICING.

ELECTRICAL OUTLET LOCATED ON SITE



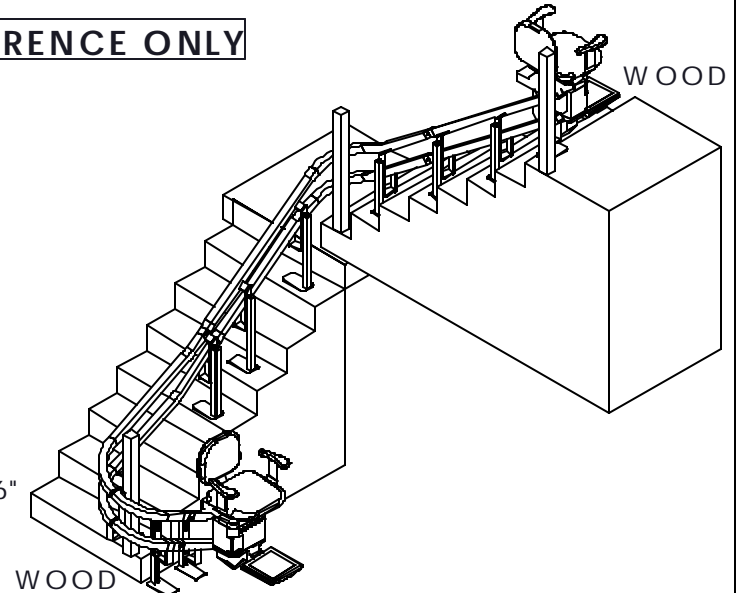
STAIRFRIEND STAIRLIFT - 90 DEG. RIGHT INSIDE WITH 180 DEG. PARK AT BOTTOM

APPROVED BY:.....

DATE:.....

CHARGING STATION: EACH END OF RAIL  
 CHARGER: 110 VAC, 5A, 60HZ  
 ELECTRICAL CORD: 25 FOOT LONG  
 BATTERY POWERED: PAIR OF 12V, 7AH  
 DC MOTOR: 24V, 3/4HP  
 GEAR BOX: 1/40  
 DRIVE SYSTEM: RACK & PINION

## FOR REFERENCE ONLY



1- NOTE: THE "STAIRFRIEND" CAN BE PLACED OUT OF THE WAY WITH THE REMOTE CONTROL. THE SECOND CHAIR ON THE RAIL IS ONLY THERE FOR REPRESENTATION.

<small>THIS DRAWING IS THE PROPERTY OF SAOVARIA INC. IT IS TO BE USED ONLY FOR THE PROJECT AND SITE SPECIFICALLY IDENTIFIED. ANY REPRODUCTION OR ALTERATION OF THIS DRAWING WITHOUT THE WRITTEN PERMISSION OF SAOVARIA INC. IS STRICTLY PROHIBITED.</small>			
PROJECTION 	TO LEANING IS GENERALLY IN THE DIRECTION OF THE LEANING IS FRACTION 1/32" DEC 3 3 30 630" ANG 30° ALL DIMENSIONS ARE IN INCHES		
ECHELLE SCALE NTS	DESSIN PAR NICOLAS H J DRAWN BY	MODEL STAIRFRIEND	
VÉRIFIÉ APPROVED *****	DATE 2008-07-12		
DESSIN/DWG No JOB V	REVU 3	PAGE 1/2	TITRE/TITLE DEALER NAME JOB NAME