

FOR APPROVAL

STAIRFRIEND STAIRLIFT - FLAT 180 DEG. RIGHT OUTSIDE

CAUTION: ONCE THE DRAWING IS APPROVED CANCELLATION FEES WILL BE 50% OF JOB PRICING.

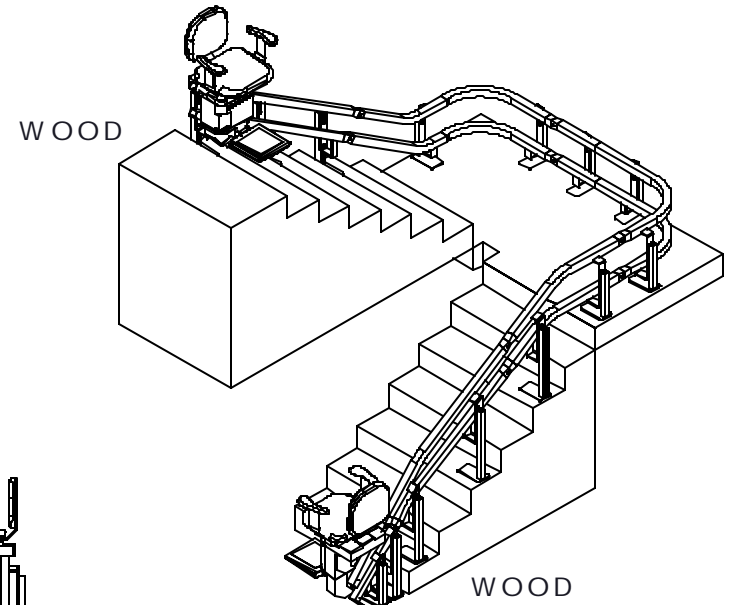
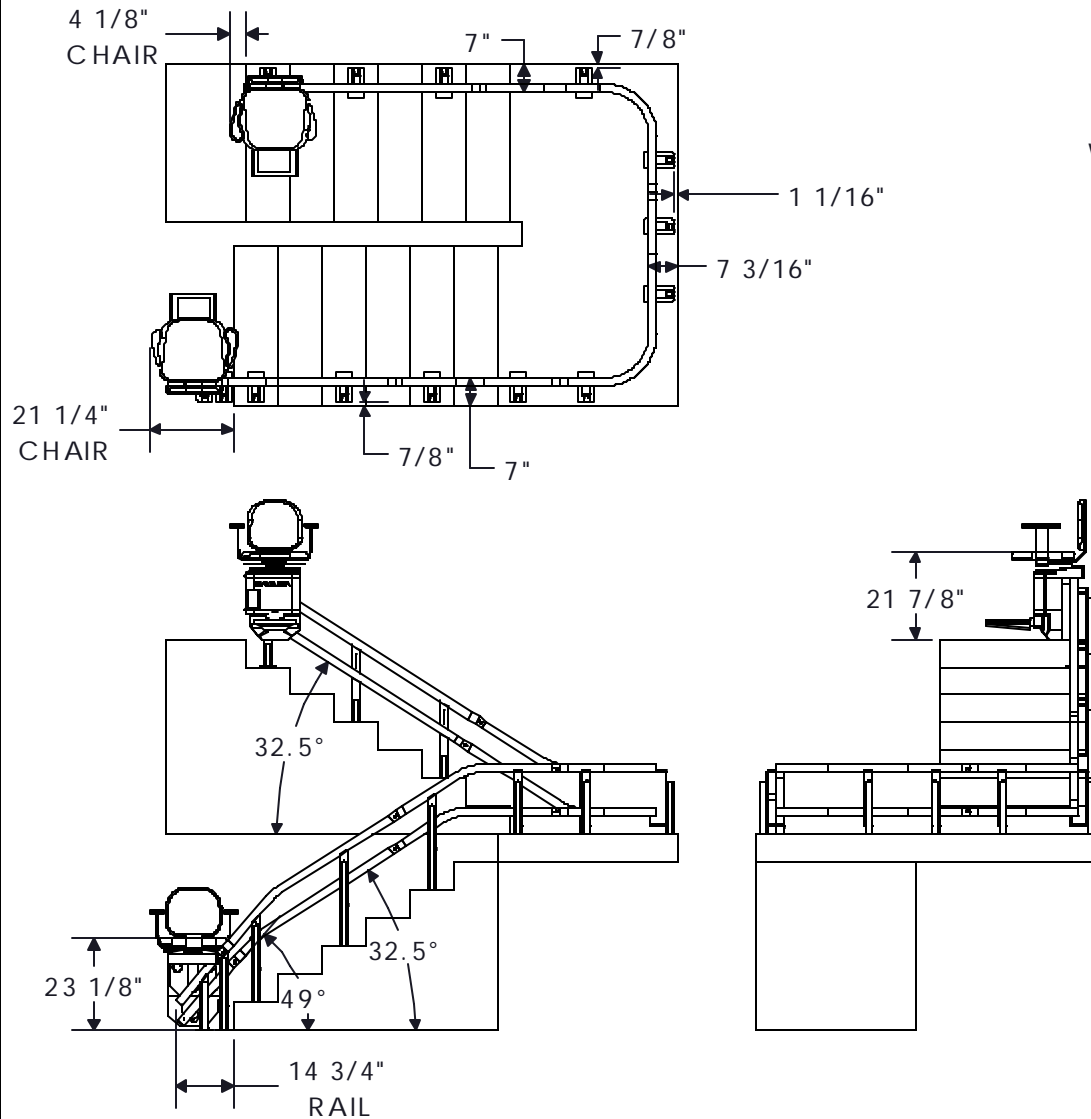
APPROVED BY:.....

DATE:.....

ELECTRICAL OUTLET LOCATED ON SITE

FOR REFERENCE ONLY

CHARGING STATION: EACH END OF RAIL
 CHARGER: 110 VAC, 5A, 60HZ
 ELECTRICAL CORD: 25 FOOT LONG
 BATTERY POWERED: PAIR OF 12V, 7AH
 DC MOTOR: 24V, 3/4HP
 GEAR BOX: 1/40
 DRIVE SYSTEM: RACK & PINION



1- NOTE: THE "STAIRFRIEND" CAN BE PLACED OUT OF THE WAY WITH THE REMOTE CONTROL. THE SECOND CHAIR ON THE RAIL IS ONLY THERE FOR REPRESENTATION.

<small>THIS DOCUMENT IS THE PROPERTY OF SAWARIA INC. IT IS TO BE USED ONLY FOR THE PROJECT AND NOT BE REPRODUCED OR COPIED IN ANY MANNER WITHOUT THE WRITTEN PERMISSION OF SAWARIA INC.</small>			
PROJECTION 	TO LEARN MORE GENERALLY ABOUT STAIRLIFTS/STAIRS/GENERAL TO LEARN MORE FRAC 1/32" DEC 3 3 30 60" ANG 30° ALL DIMENSIONS ARE IN INCHES		
ECHELLE SCALE NTS	DESSINE PAR NICOLAS M J DRAWN BY	MODEL STAIRFRIEND	
VERIFIE APPROVED 111111	DATE 2008-07-11	SERVICES INDUSTRIELS SAWARIA INC.	
DESSIN/DWG No JOB V	REVW 3	PAGE 1/2	TITRE/TITLE DEALER NAME JOB NAME